

Mike Fitz Designs

WATCH STAND & TREEN MANUFACTURERS

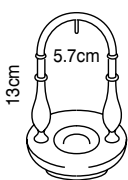
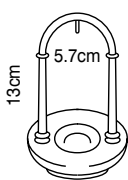
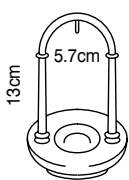
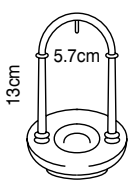
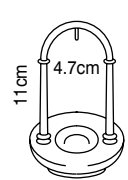
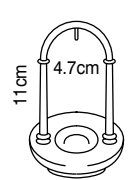
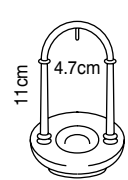
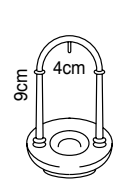
MIKE & HEATHER FITZ, 37 MEADWAY, HARPENDEN. HERTFORDSHIRE

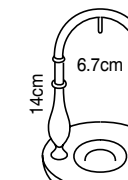
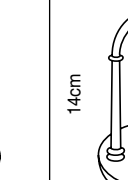
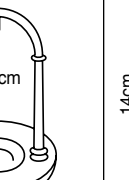
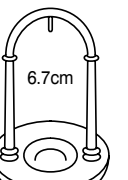
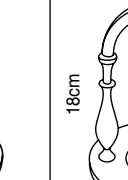
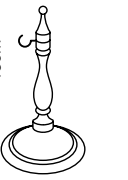
AL5 1JN, ENGLAND • TEL/FAX: 01582 762231 • www.mikefitzdesigns.co.uk

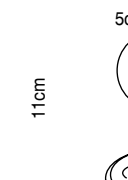


Mike Fitz Designs was established in 1976. Mike has built his business on quality and design and has exhibited his work in galleries and stores throughout the world. His reputation for quality has gained his work the reputation as being called 'tomorrow's antiques' and over the years his work has been collected by connoisseurs throughout the world.

Mike's work has a french polish and wax finish – no stain or lacquer is ever used. The woods will darken with age which enhances their beauty and will go on giving pleasure for many years to come.

We have tried to give as much information as to the sizes etc. but please do not hesitate to ring for help.

WELLHEAD WATCH STANDS	LARGE PLAIN	LARGE PLAIN	LARGE DE-LUXE GOLD PLATE	LARGE DE-LUXE CHROME PLATE	SMALL PLAIN	SMALL DE-LUXE GOLD PLATE	SMALL DE-LUXE CHROME PLATE	VERY SMALL PLAIN
	 13cm 5.7cm	 13cm 5.7cm	 13cm 5.7cm	 13cm 5.7cm	 11cm 4.7cm	 11cm 4.7cm	 11cm 4.7cm	 9cm 4cm
REFERENCE No.	A26	A27	A28	A28R	A29	A30	A30R	A31
PRICE	£46.00	£44.00	£55.00	£55.00	£43.00	£54.00	£54.00	£34.00
ROSEWOOD								
PADOUK								
ENGLISH YEW								
ENGLISH WALNUT								

WELLHEAD WATCH STANDS	EXTRA LARGE PLAIN	EXTRA LARGE PLAIN	EXTRA LARGE DE-LUXE GOLD PLATE	EXTRA LARGE DE-LUXE CHROME PLATE	GOLIATH	Max watch 5cm
	 14cm 6.7cm	 14cm 6.7cm	 14cm 6.7cm	 14cm 6.7cm	 18cm 8.2cm	 13cm
						A50
						£25.00
REFERENCE No.	A45	A46	A47	A47R	A48	ROSEWOOD
PRICE	£62.00	£60.00	£70.00	£70.00	£82.00	PADOUK
ROSEWOOD						ENGLISH YEW
						ENGLISH WALNUT

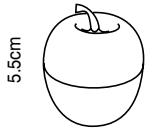
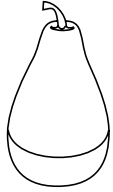


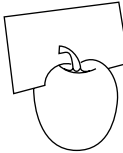
SINGLE STEM WATCH STANDS	WATCH STAND FOR HUNTER/OPEN FACE	WATCH STAND FOR HUNTER	ROSEWOOD WATCH STAND
	 11cm 5cm watch	 8cm max. watch size 5.6cm	 15cm max. watch size 4.5cm
REFERENCE No.	A40	A41	A42S
PRICE	£75.00	£42.00	£72.00
	CHROME PINS	GOLD PINS	
ROSEWOOD			
PADOUK			
ENGLISH YEW			
ENGLISH WALNUT			

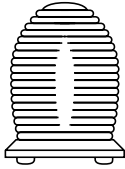
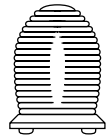


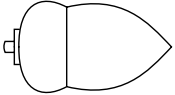
ALL SIZES ARE APPROXIMATE



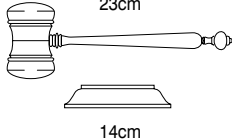
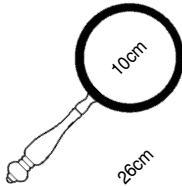
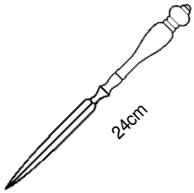
ALL WOODS ARE FROM A SUSTAINABLE SOURCE

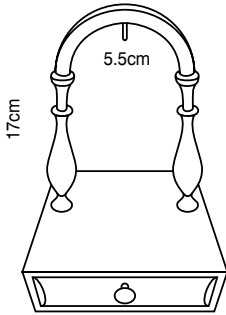
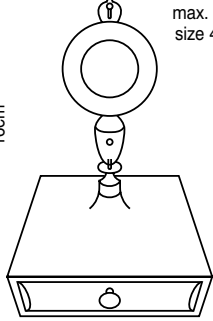
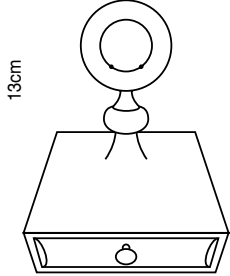
SEE REVERSE OF ORDER FORM FOR WATCH STAND SIZE GUIDE

PLEASE TURN OVER FOR TREEN INFORMATION

FRUIT JEWELLERY BOXES	LARGE APPLE	LARGE PEAR	SMALL APPLE	SMALL PEAR	6 X APPLE PLACE SETTINGS
	 5.5cm	 7.5cm	 3cm	 4cm	 3cm
REFERENCE No.	A1	A2	A3	A4	A13
PRICE	£34.00	£37.00	£19.00	£21.00	£36.00
LIGHT WOOD					ASSORTED WOODS
MEDIUM WOOD					
DARK WOOD					

NEEDLEWORK ACCESSORIES	BEEHIVE SEWING BOX	BEEHIVE THIMBLE CASE	TAPE MEASURE	PIN CUSHION	ACORN THIMBLE CASE
	 7.5cm	 5cm	 4cm	 4cm	 7cm
REFERENCE No.	N1	N2	N3	N4	N5
PRICE	£48.00	£28.00	£28.00	£13.00	£28.00
DARK WOOD					LIGHT WOOD
					MEDIUM WOOD
					DARK WOOD

DESK ACCESSORIES	HOUR GLASS (1 HOUR)	SERMON GLASS (15 MINUTES)	GAVEL & BLOCK	MAGNIFYING GLASS	LETTER OPENER
	 23cm	 19cm	 23cm 14cm	 10cm 26cm	 24cm
REFERENCE No.	H1	H2	H5	H10	H12
PRICE	£115.00	£95.00	£85.00	£105.00	£32.00
ROSEWOOD					LIGHT WOOD
BROWN OAK					MEDIUM WOOD
ENGLISH YEWE					DARK WOOD

WATCH STANDS WITH DRAWER	GENTLEMAN'S WATCH STAND	LADY'S WATCH STAND	HUNTER WATCH STAND
	 17cm 5.5cm 12cm	 16cm max. watch size 4.5cm 12cm	 13cm 5cm watch size 12cm
REFERENCE No.	A61	A62	A63
PRICE	£240.00	£240.00	£240.00
ROSEWOOD			